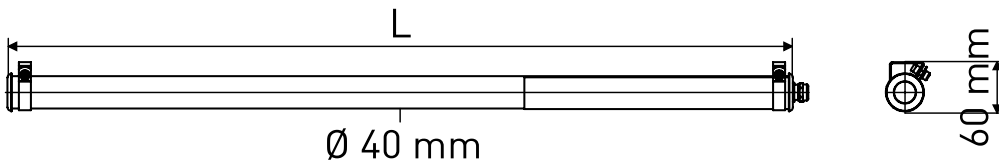
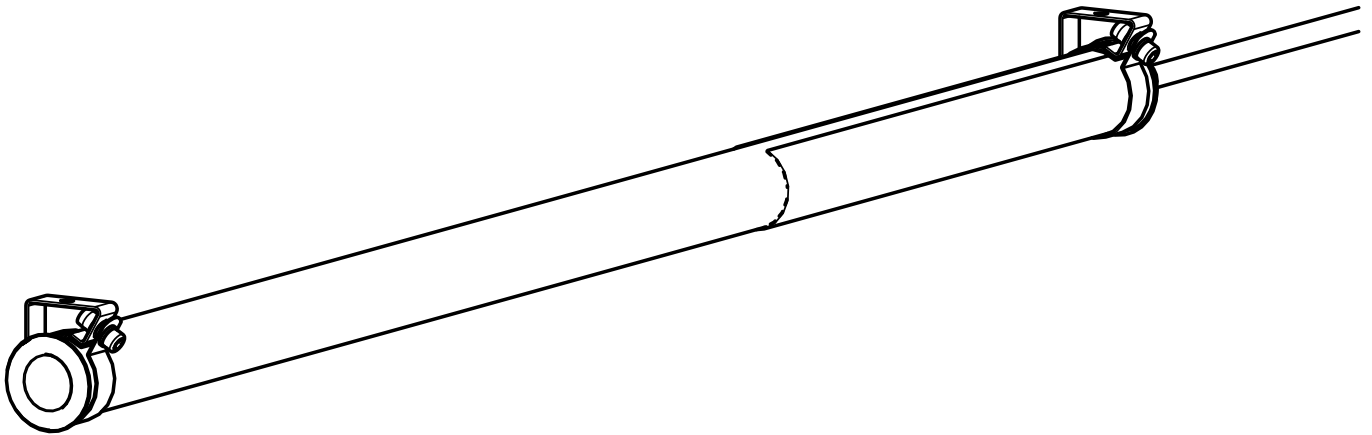





Sammode
Studio

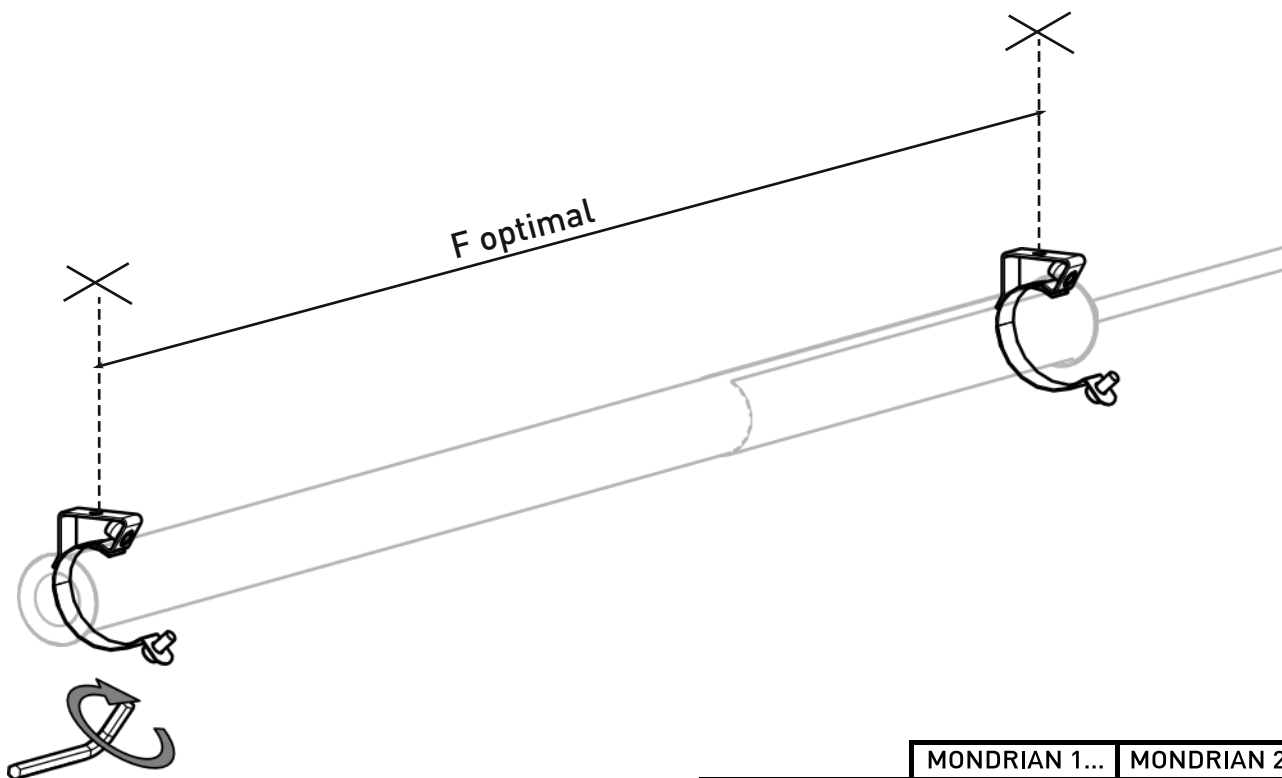
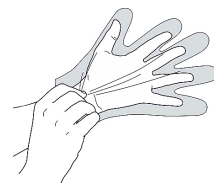
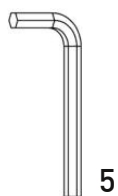
Mondrian



	MONDRIAN 1...	MONDRIAN 2...
LED	7 W	11 W
← L →	1000 mm	1500 mm
	1,1 kg	1,3 kg

Montage

Mounting / Montage



	MONDRIAN 1...	MONDRIAN 2...
← F optimal →	973 mm	1473 mm

